



REQUEST FOR EXPRESSIONS OF INTEREST

Accreditation of Test labs for the Compliance Testing of digital terrestrial television (DTT) receivers in accordance with the Ghana DTT Conformance Regime

The National Communications Authority is carrying out a transition of television broadcasting services in the frequency bands 174–230 MHz and 470–862 MHz from analogue to digital technology.

To ensure that all digital terrestrial television (DTT) receivers sold on the Ghana market conform to acceptable receiver standards, and in accordance with Section 5(c) of the National Communications Authority Act, 2008, Act 769, which mandates the Authority to take the necessary steps to protect consumers from sub-standard products, the Authority has published standards for DTT receivers (set-top boxes, integrated digital television sets, etc). To enforce these minimum receiver standards, a conformance regime has been instituted that shall require all set top boxes (STBs) and integrated digital TV sets (iDTVs) sold in Ghana to pass a conformance test to be certified to use a receiver certification logo (the Ghana thumb logo), which will confirm to consumers that the receiver is Ghana DTT compliant.

Consequent to the implementation of this regime, manufacturers/distributors who wish to supply DTT receivers in Ghana would have to arrange for testing of samples prior to local production / importation.

To make this exercise possible, the Authority has decided to accredit eligible test labs to provide standard tests on all models of set-top boxes (STBs) and integrated digital television sets (IDTVs), to verify that these DTT receivers conform to the Minimum Requirements for Free To Air (FTA) Digital Television Receivers.

The tests are based on the Minimum Requirements for Receivers of FTA Digital Terrestrial Television (DTT) In Ghana document (<http://nca.org.gh/73/34/News.html?item=290>) and are categorized into:

- Radio Frequency (RF) tests, and
- Service Information / Programme Specific Information (SI/PSI) tests.
- Electromagnetic Compatibility tests against CISPR 13 or EN55013

The block diagrams of the setup for carrying out the RF and the SI/PSI tests are attached as Annexes 1&2.

The National Communications Authority now invites eligible test labs to indicate their interest in providing these testing services. Interested test labs must provide information indicating that they are qualified to perform the services (description of similar assignments, experience in similar conditions, availability of appropriate skills among staff, etc.). Test labs are also required to provide their measurement/setup and equipment list to achieve these tests, as well as their calibration records and system photographs.

Interested test labs may obtain further information at the address below during office hours 0900 to 1630 hours GMT.

Expressions of interest must be delivered to the address below by **May 17, 2013, 1700 hours GMT**. Electronic submissions are acceptable.

The Director General
National Communications Authority
1st Rangoon Close, Cantonments
P. O. Box CT 1568
Accra, Ghana
Tel: 233 302 776621
Fax: 233 302 763449
Email: Secretariat.dbmc@nca.org.gh

ANNEX 1 - TEST EQUIPMENT SET UP FOR RF TESTS

Figure A

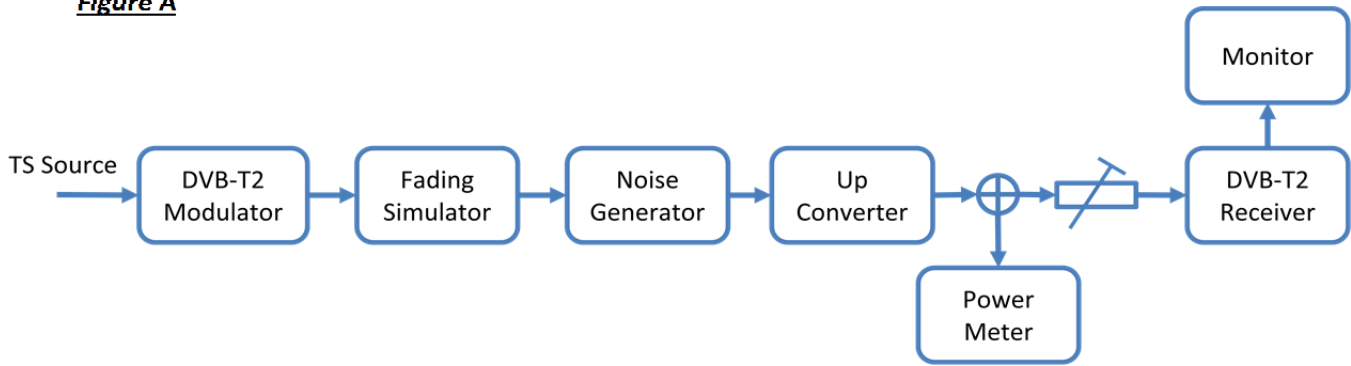


Figure B

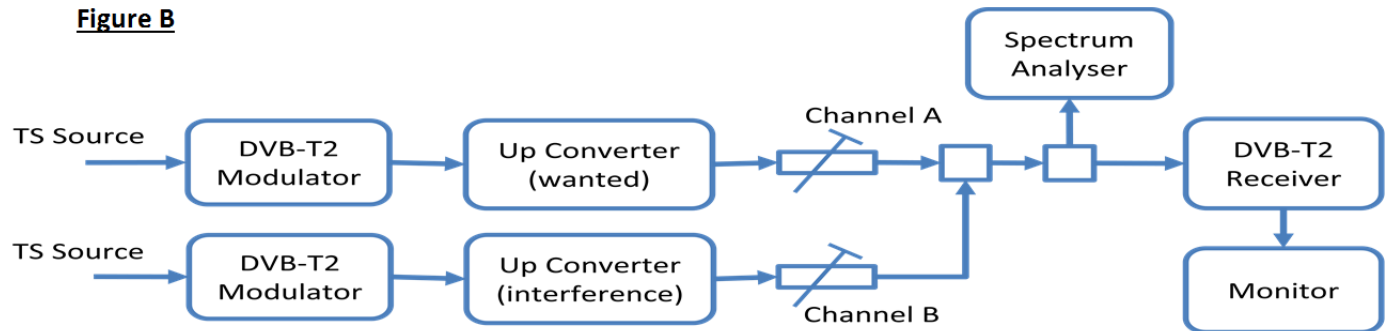


Figure C

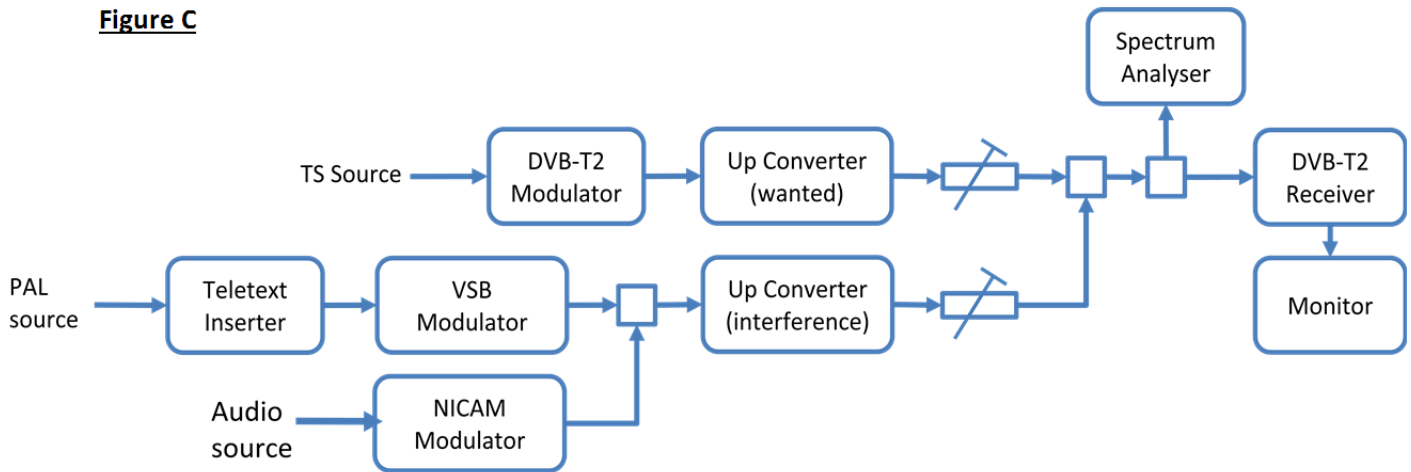
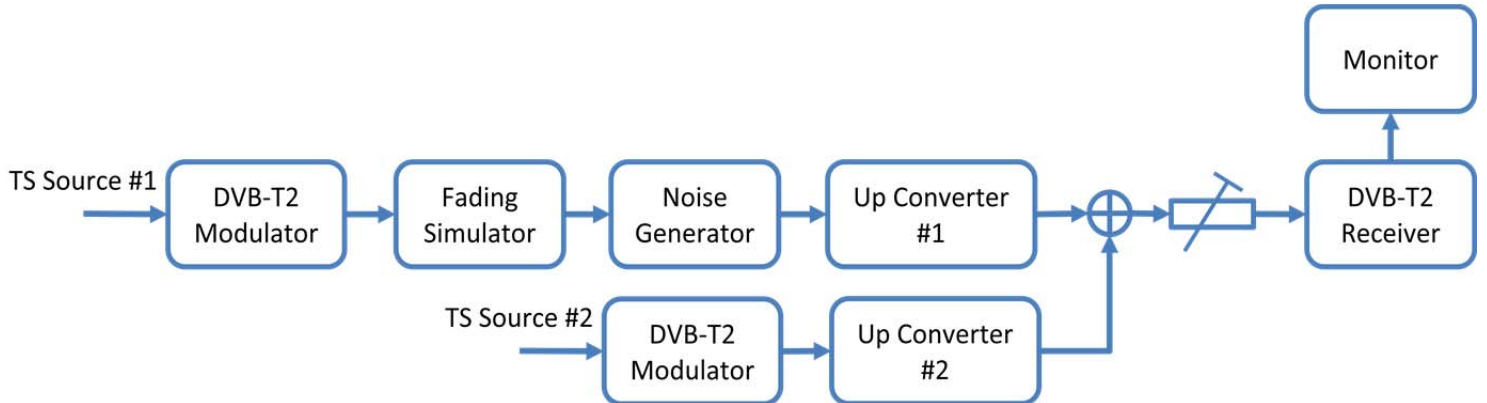


Figure D



ANNEX 2 - TEST EQUIPMENT SET UP FOR SI/PSI TESTS

Figure E

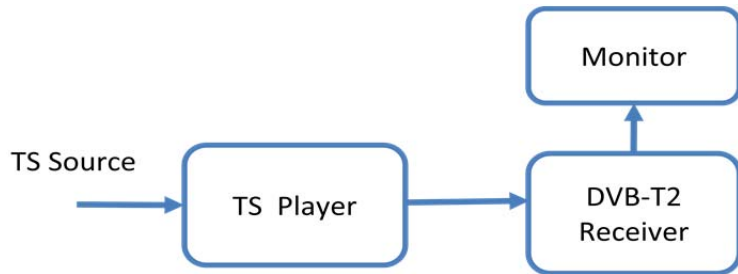


Figure F

